



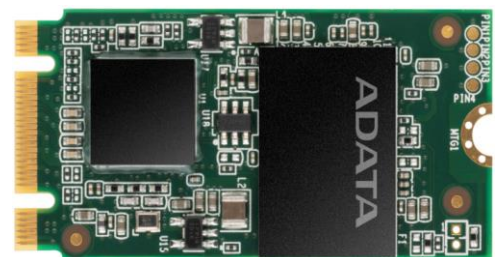
ADATA Industrial & Embedded Solutions

M.2 SSD

ADATA IM2S3164 M.2 2242 solid state drive utilizes high-quality 3D NAND flash to provide improved power efficiency and rugged reliability. It sports read/write speeds of up to 550/490MB per second, and with support for LDPC ECC technology, it can safeguard data integrity and maintain high performance. It also features TCG Opal 2.0 to keep data safe. ADATA's SSD validation process ensures quality, compatibility, and reliability with functionality testing and reliability assurance. Furthermore, ADATA SSD Toolbox software provides intuitive SSD management, S.M.A.R.T. monitoring, and system optimization to enhance industrial systems.

Key Features

- 3D NAND Flash - higher capacity, durability, and power efficiency
- P/E Cycle upgrade to 3K – improved endurance and reliability
- Advanced hardware LDPC ECC Technology
- Wide capacity range: 32GB to 512GB
- Wide Temperature Support: -40°C to 85°C
- Supports TCG Opal
- Supports SLC Caching and Data Shaping
- Supports S.M.A.R.T. , NCQ and Windows TRIM command



Target Applications

Server, Data Center, Surveillance, Transportation, Notebooks, Desktops

30u Golden Finger	Anti-Sulfur Resistor	Conformal Coating	Wide Temperature	EDS & EMI Safe	Shock & Vibration Resistant	Lifetime Monitoring (LTM)	Temperature Sensor	Wear Leveling	Secure Erase	TRIM	Low Power Consumption
●	—	—	●	●	●	●	●	●	●	●	●

● Supported

Specifications

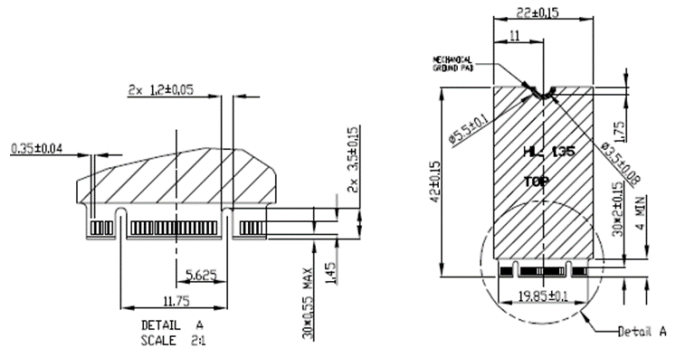
Model	IM2S3164
Interface	SATA III 6.0Gbps
Form Factor	M.2 2242
Dimensions (L x W x H)	42 x 22 x 3.5mm
Flash Type	3D TLC
Capacity	32GB - 512GB (*32GB: commercial temp. only)
Sequential Read (Max.)	550MB/s
Sequential Write (Max.)	490MB/s
Operating Temperature (Commercial)	0°C to 70°C
Operating Temperature (Industrial)	-40°C to 85°C
Operating Voltage	3.3V
Operating Humidity	5%-95% RH non-condensing
Power Consumption (Max.)	1.83W
MTBF (Est.)	>1,500,000 hours
Shock Resistance	1500G/0.5ms, Half Sine Wave
Vibration Resistance	20G (10-2000Hz)
Technologies	LDPC ECC, TCG Opal, SLC Caching, Data Shaping, NCQ and TRIM Command

Ordering Information

Capacity	Commercial (0°C to 70°C)	Industrial (-40°C to 85°C)
32GB	IM2S3164-064GDA	—
64GB	IM2S3164-064GDA	IM2S3164-064GPA
128GB	IM2S3164-128GDA	IM2S3164-128GPA
256GB	IM2S3164-256GDA	IM2S3164-256GPA
512GB	IM2S3164-512GDA	IM2S3164-512GPA



Dimensions



ADATA Technology
 2F, No. 258, Liancheng Rd., Zhonghe Dist.,
 New Taipei City 235, Taiwan